

Installation instructions for PZ4AL-2932-00, PZ4AL-2933-00
Under Run Protective Shield Engine Bay

TOYOTA Hilux



Hilux

Model year:

2015-

Applicability:

GUN125L-DTFSHW; GUN125L-DTFMHW
GUN126L-DTTMHW; GUN126L-DTTHHW

Part Number:

Steel: PZ4AL-2932-00
Aluminium: PZ4AL-2933-00



Weight:

Steel: 10.93 kg
Aluminium: 6.01 kg

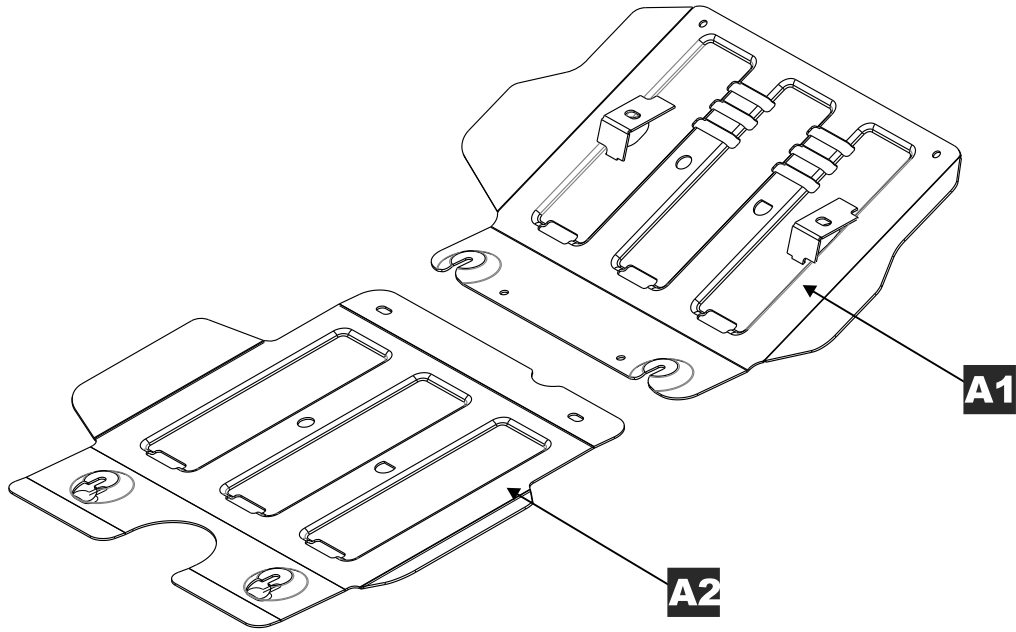


Installation Time:

30 min

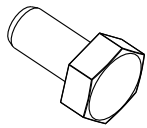
Rev.1 12.10.2015

PZ4AL-02932-00, PZ4AL-02933-00



PZ4AL-02932-60

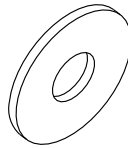
B



M8x30

6x

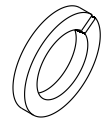
C



d=8

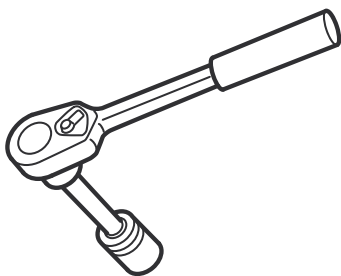
6x

D



d=8

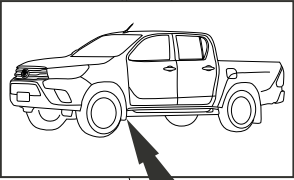
6x



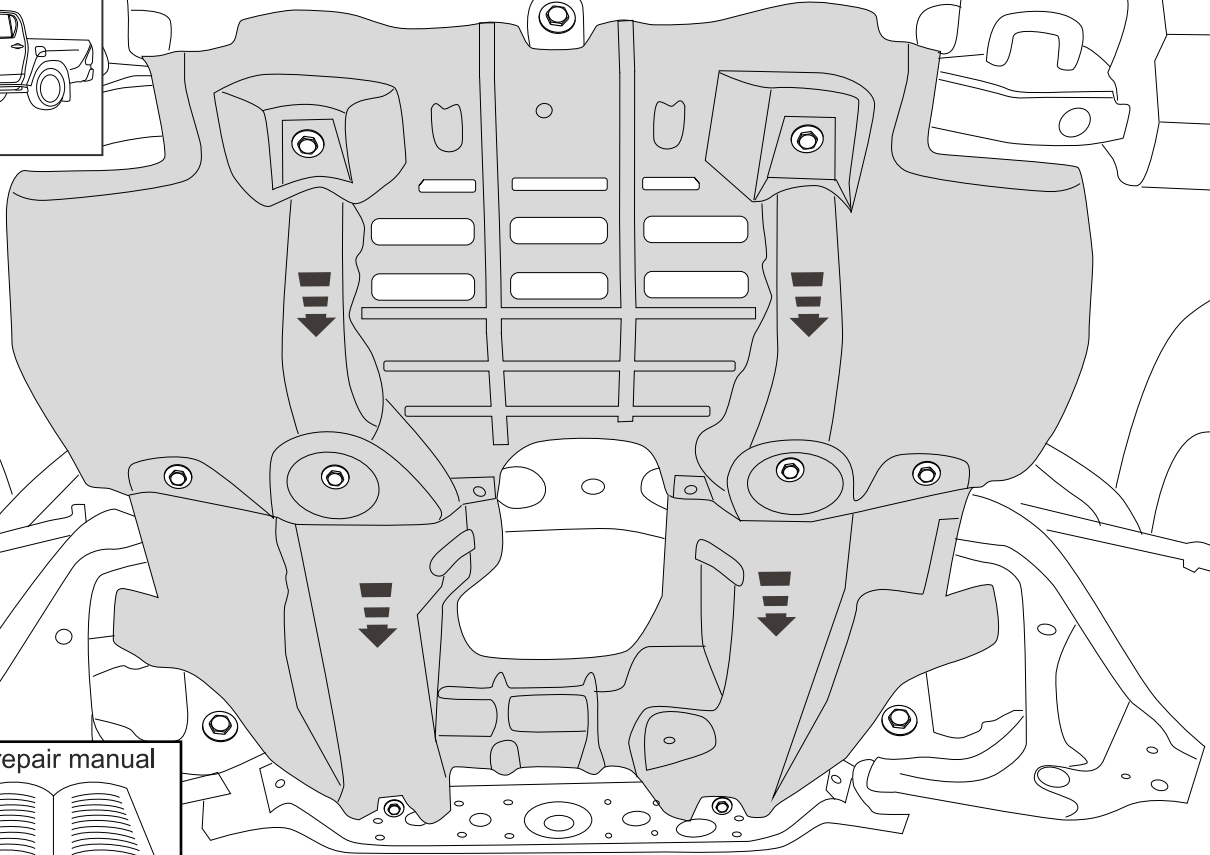
13 mm



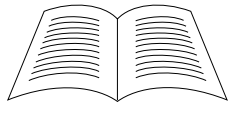
1



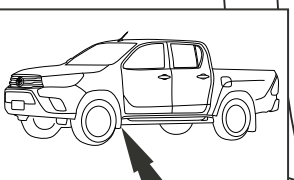
FWD ↑



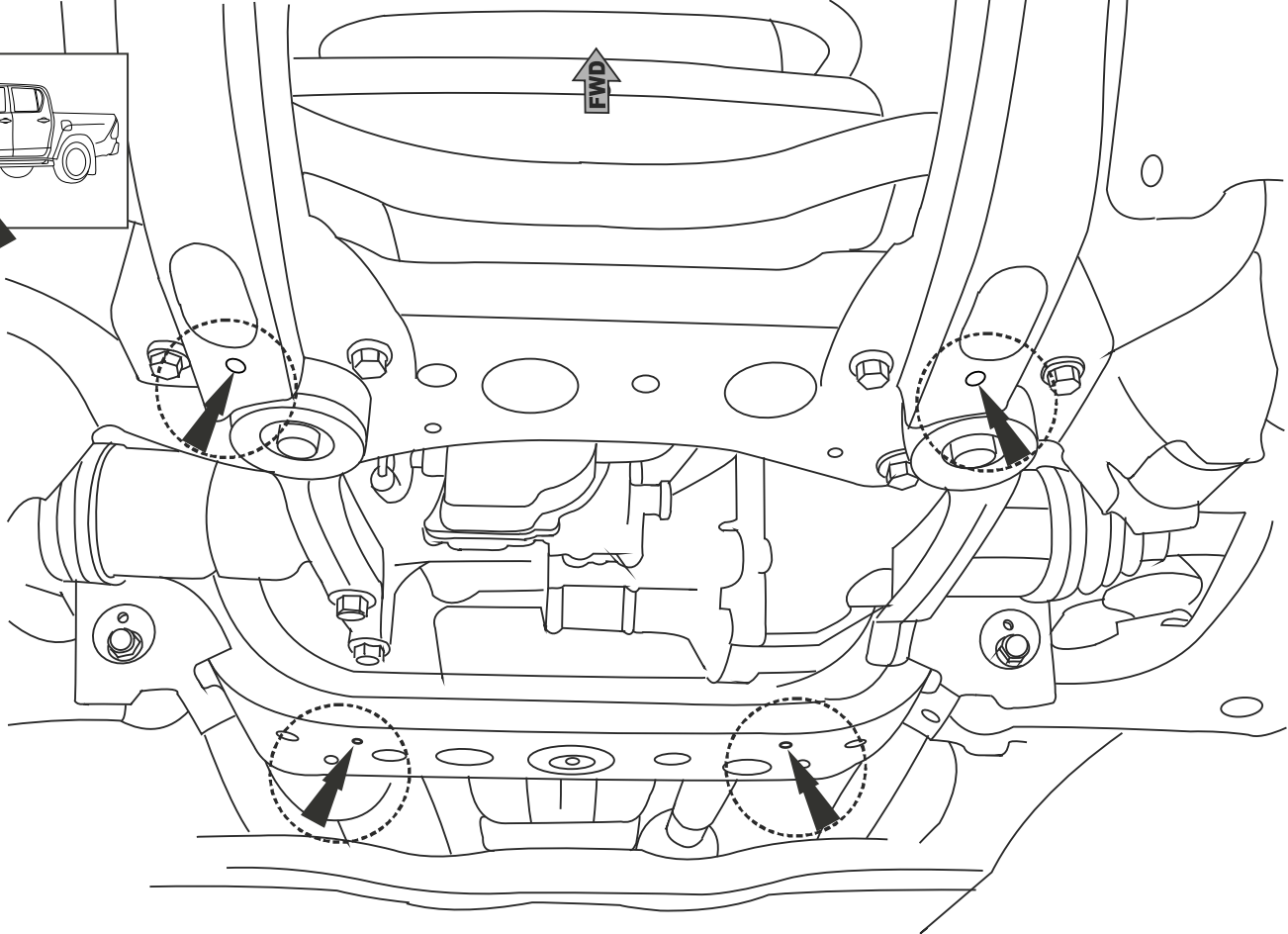
see repair manual



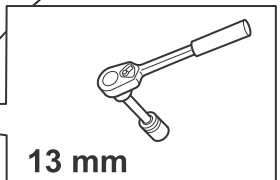
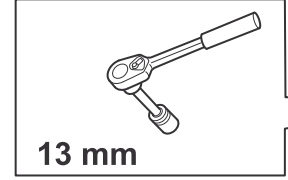
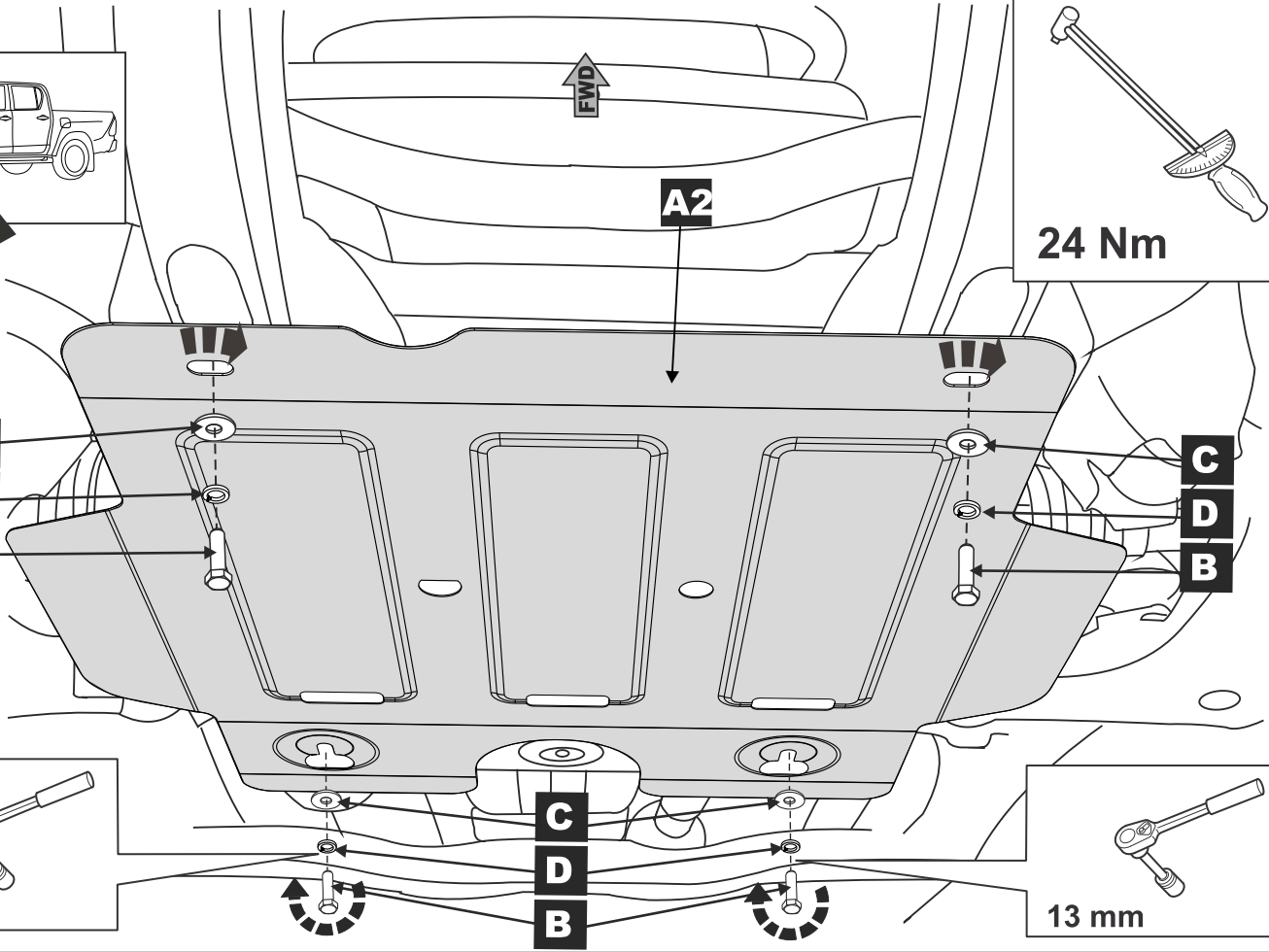
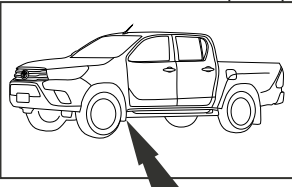
2



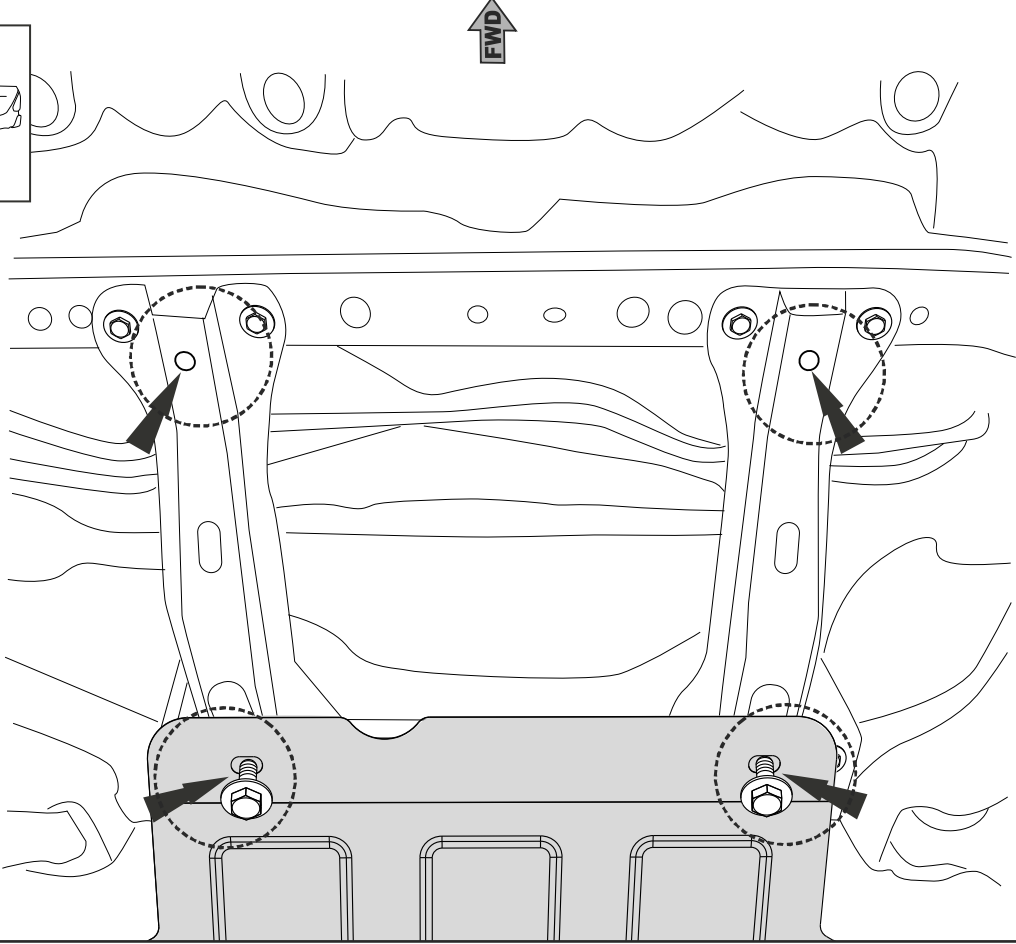
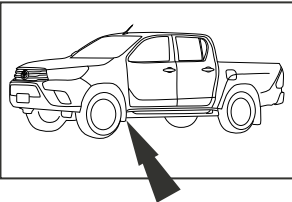
FWD ↑



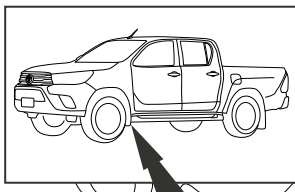
3



4



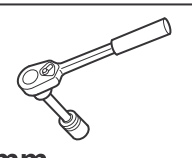
5



FWD ↑

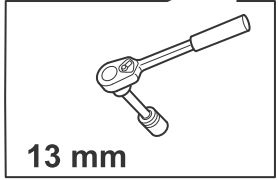
A1

13 mm



C
D
B

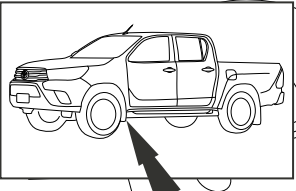
C
D
B



13 mm



6



FWD ↑

